



JET PUMP + NXT CONTROLLER



PRODUCT DESCRIPTION

Self priming centrifugal pump with excellent suction capacity even in the presence of air bubbles. Suitable for pumping water with low levels of sandy impurities. Especially used in domestic water supply installations. Suitable for small farms and gardening, small scale industrial services and where self priming is necessary

FEATURES OF PUMP

Pump body in technopolymer and motor support in die cast aluminium. Impeller, diffuser, venturi tube and sand guard in technopolymer Stainless steel wear ring. Carbon/ceramic mechanical seal.

FEATURES OF MOTOR

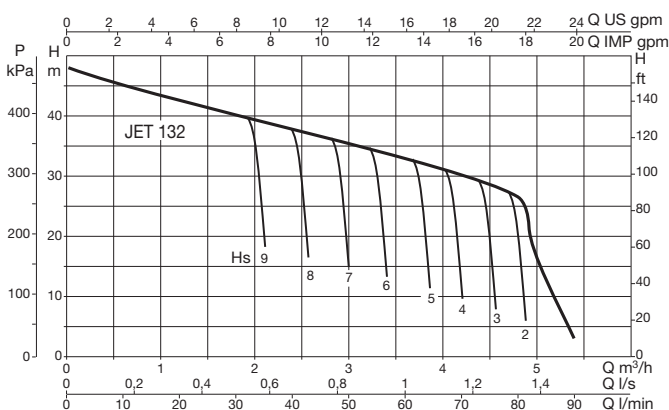
Asynchronous type, closed, with external air cooling. Rotor mounted on oversized greased-for-life ball bearings, to guarantee low noise and long life. Incorporated thermo-ampereometric protection and permanently inserted capacitor in the single phase version.

It is recommended to use overload protection for three phase motor protection, in compliance with current legislation. Manufactured pursuant to CEI 2-3 and CEI 61-69 (EN 60335-2-41).

CERTIFICATIONS & WARRANTY



PUMP CURVE

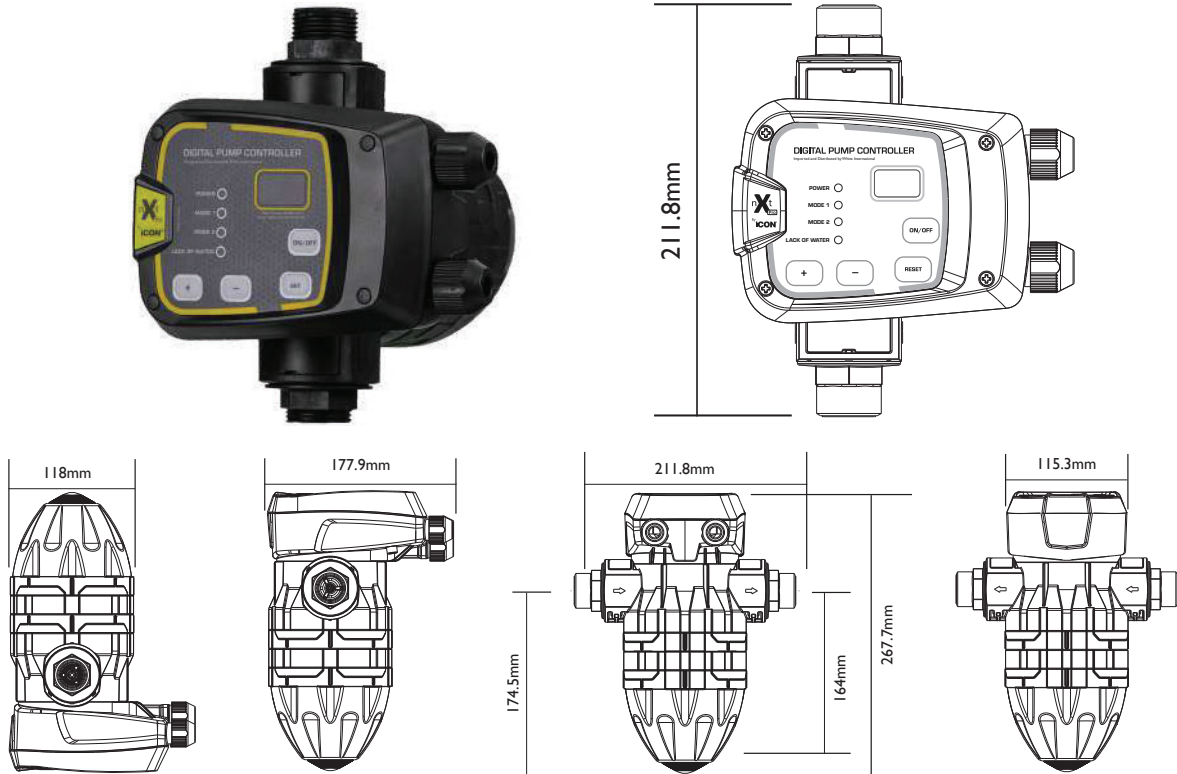


TURN OVER FOR
 NXT CONTROLLER
 INFORMATION



CHARACTERISTICS

- **Operating Range:** from 10 to 90 litres/min with head up to 48 metres.
- **Liquid Quality Requirements:** clean, free from solid or abrasive contaminants, non-viscous, non-aggressive, uncrystallised and chemically neutral.
- **Liquid temperature range:** for domestic use: from 0°C to +35°C (EN 60335-2-41) for other use: from 0°C to +40°C
- **Maximum Suction Depth:** 8 metres.
- **Maximum Ambient Temperature:** +50°C
- **Maximum Operating Pressure:** 8 bar (800 kPa)
- **Installation:** fixed in a horizontal position.
- **Special executions on request:** alternative voltages and/or frequencies.
- **Motor Protection Rating:** IP 44
- **Terminal Block Protection Rating:** IP 55
- **Insulation class:** F
- **Standard Input Voltage:** Single phase 220/240 V / 50 Hz
 Three phase 230/400 V - 50 Hz
- **Electrical Data:** 1.0 kW 6.6A 240V



The nXt series of pump controls represents the next step in pressurised pump control.

Designed and tested in Australia to ensure operation in the toughest of environments, combining innovative technology with robust proven architecture to guarantee constant supply of pressurised water when and where you need it the most.

Ideal for pumps supplying clean, non-volatile liquids without fibers or solids in applications such as:

- Household water supply
- Irrigation
- Water transfer
- Washing systems
- Pressure boosting

Features:

- Digital display gives you a real time indication of system pressure
- Anti-cycle Protection
- Dry run protection with auto restart function that tests for water availability every 24hrs
- Anti-seize function if pump has not operated for last 24 hours
- Controller automatically restarts pump after a power failure
- Easy assembly and removal using push-n-connect fitting with U clip
- Complies to AS/NZ 4020 drinking water standard
- Over pressure protection turns pump off when 10 bar is reached
- Overload protection

Two operational modes:

- Mode One - Adjustable cut in pressure setting. Controller stops pump when flow drops.
- Mode Two - Adjustable cut in and cut out pressure. Shut down governed by pressure. Requires pressure tank.



| NXT PRO | |
|-------------------|---------------------------|
| Function | ON/OFF + Config |
| Modes | 2 |
| Size | 2.2Kw |
| Rated Voltage | 90-280V AC |
| Max Amps | 16 |
| Rated Power | 2200w |
| Rating | IP65 |
| Union Size | 1" |
| Start Pressure | Adjustable |
| Stop Pressure | Adjustable |
| Max Pressure | 10 bar (145PSI) |
| Max Liquid Temp | 60°C |
| Cable to Pump | Plug and Play |
| Flylead for Pump | When sold as control only |
| Power Cable | 10AMP |
| Communication | - |
| Accessories | 15 AMP Cable |
| (Sold Separately) | 1 1/4" Union Kit |